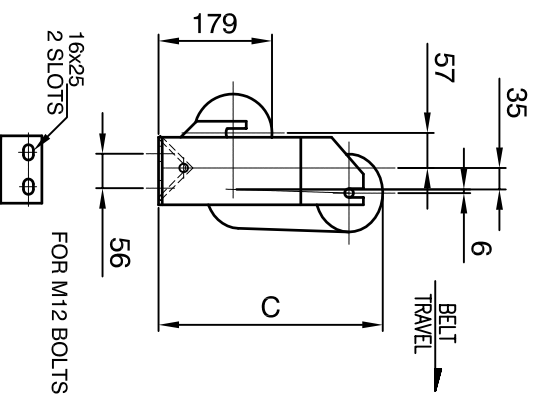
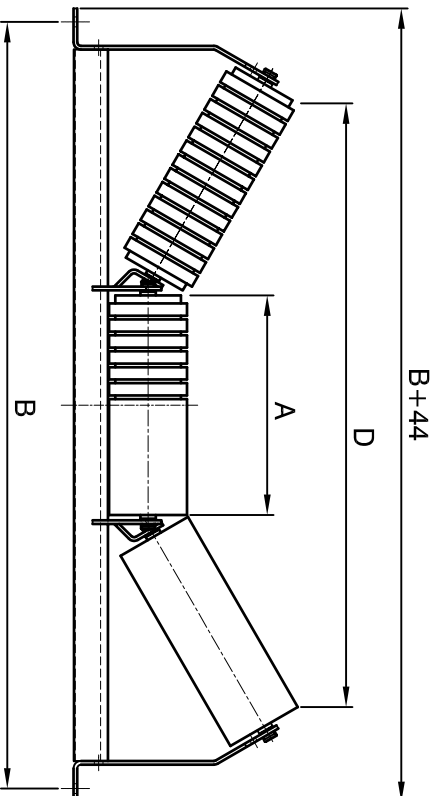


BROACHING PLAIN 14.3 A/F
 BROACHING IMPACT 14.3 A/F
 MAX BELT SPEED 4.5 m/s



3 ROLL OFFSET TROUGH / IMPACT IDLERS

SERIES A25-62 Ø 114 BEARING 6205 BEARING RATING 1430kg

BELT WIDTH	20°				30°				35°				45°				ANGLE	SHAFT DIA	UNIT MASSES, kg			IDLER SETS MASSES, kg		
	A	B	C	D	C	D	C	D	C	D	C	D	C	D	SIZE	FRAME ONLY			PLAIN	IMPACT	MRP	TOTAL	PLAIN	TOTAL
400	154	650	234	497	259	433	268	410	291	382	65	27	7.2	3.4	3.5	6.9	17.4	7	17.8					
450	172	700	240	549	268	482	278	457	304	426	65	27	7.5	3.7	3.7	7.4	18.5	7.4	18.5					
500	189	750	246	598	276	528	288	205	316	467	65	27	7.8	3.9	4	7.9	19.5	8.3	19.9					
600	224	850	258	698	294	624	308	594	341	551	65	27	8.5	4.4	4.6	9	21.7	9.5	22.3					
650	244	900	265	756	304	679	319	647	355	600	65	27	8.8	4.7	5	9.5	22.9	10.4	23.9					
750	278	1000	277	854	321	771	339	737	379	682	65	27	10.7	5.2	5.7	10.5	26.3	12.2	28					
800	294	1050	282	900	329	815	348	779	390	720	65	27	11.1	5.4	5.9	11	27.4	12.5	28.9					
900	331	1150	295	1006	347	916	369	877	417	810	75	27	11.9	5.9	6.7	12.1	29.8	14.3	32					
1000	358	1250	304	1084	361	990	385	948	436	875	75	27	13.8	6.3	7.2	12.9	32.8	15.4	35.3					
1050	383	1300	312	1156	373	1058	399	1014	453	935	75	27	14.3	6.7	7.6	13.6	34.3	16.4	37.2					
1200	436	1450	331	1309	400	1203	430	1154	491	1063	75	27	15.6	7.4	8.6	15.2	37.9	18.6	41.4					

IDLER DIMENSIONS m m

UNIT MASSES, kg

IDLER SETS MASSES, kg

DIMENSIONS IN MILLIMETRES

DO NOT SCALE



3RD ANGLE PROJECTION

MATERIAL STATUS		DATE		TITLE		JOB NO.	
△	REVISIONS	23.03.06		3 ROLL OFFSET TROUGH/IMPACT IDLERS		NO OFF	
△	CONTROLLED DOCUMENT.	APPROVED		SERIES A25-62 ROLLER DIA 114 BEARING 6205		REF ASSY	
△	TAKEN FROM DWG.	CHECKED JOHN WHITE		3 ROLL OFFSET TROUGH/IMPACT IDLERS		DRAWING No.	
DRAWN G.G.		APPROVED NEIL KINDER		3 ROLL OFFSET TROUGH/IMPACT IDLERS		1309	
DIM IN MM		1 DEC ±0.5		2 DEC ±0.25		ANGLE ±0.5°	
TOLS		A1		THIS DRAWING IS THE PROPERTY OF KINDER & CO AND MUST BE RETURNED UPON REQUEST. IT MAY NOT BE COPIED OR REPRODUCED WITHOUT THE WRITTEN PERMISSION OF KINDER & CO ABN 280 094 882 38		DRAWING No.	
MATERIAL		G.G.		KINDER BULK MATERIALS HANDLING PRODUCTS		REV	
REVISIONS		SCALE		SALES		REV	
CONTROLLED DOCUMENT.		G.G.		email sales@kinder.com.au www.kinder.com.au		1309	