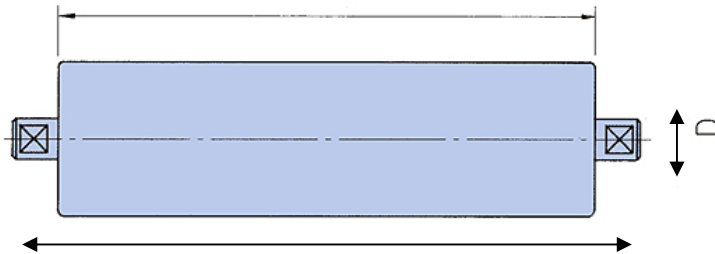


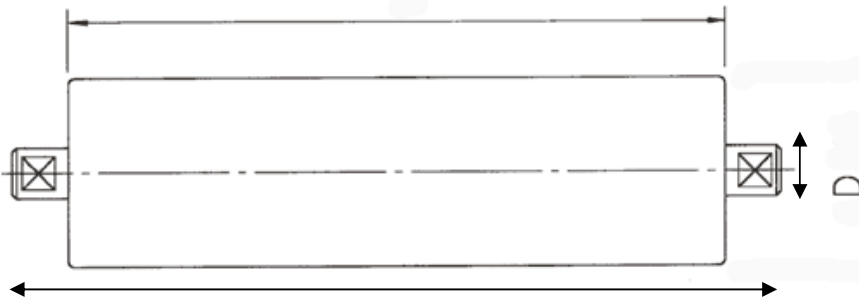
Queensland Power Transmission Supplies

<i>Stock Code</i>	<i>Belt Width</i>	<i>Diameter</i>	<i>Face Length (FL)</i>	<i>Shaft Length (SL)</i>	<i>Shaft Diameter (SD)</i>
		<i>Carrier</i>	<i>Rollers</i>		
CR450D102	450	102	170	210	20
CR500D102	500	102	190	230	20
CR600D102	600	102	223	264	20
CR750D102	750	102	277	318	20
CR900D102	900	102	330	371	20
CR1050D102	1050	102	382	423	20
CR1200D102	1200	102	436	476	20
CR450D114	450	114	170	211	20
CR500D114	500	114	190	230	20
CR600D114	600	114	223	264	20
CR650D114	650	114	245	285	20
CR750D114	750	114	277	318	20
CR800D114	800	114	295	335	20
CR900D114	900	114	330	371	20
CR1000D114	1000	114	359	399	20
CR1050D114	1050	114	382	423	20
CR1200D114	1200	114	436	476	20
CR1350D114	1350	114			
CR1500D114	1500	114	540	580	20
CR600D127	600	127	223	264	25
CR650D127	650	127	245	285	20
CR750D127	750	127	277	318	25
CR900D127	900	127	330	371	25
CR1050D127	1050	127	382	423	25
CR1200D127	1200	127	436	476	25



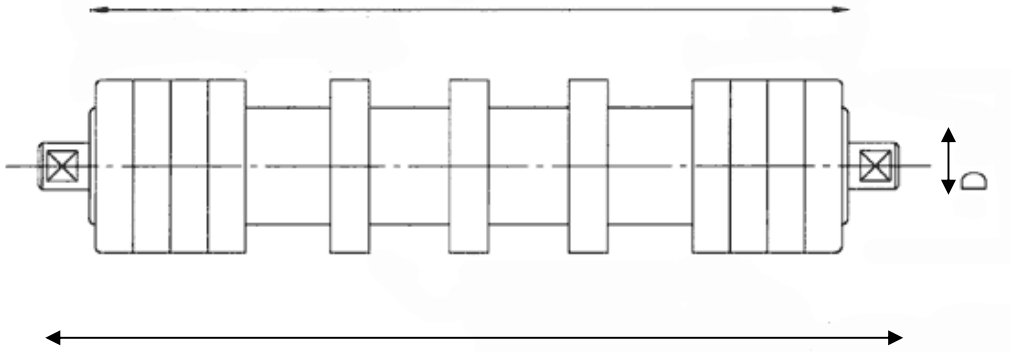
Queensland Power Transmission Supplies

<u>Stock Code</u>	<u>Belt Width</u>	<u>RETURN Diameter</u>	<u>ROLLER Face Length (FL)</u>	<u>Shaft Length (SL)</u>	<u>Shaft Diameter (SD)</u>
RR450D102	450	102	542	592	20
RR600D102	600	102	694	744	20
RR750D102	750	102	842	892	20
RR900D102	900	102	994	1044	20
RR1200D102	1200	102			
RR450D114	450	114	542	591	20
RR500D114	500	114	595	645	20
RR600D114	600	114	693	743	20
RR650D114	650	114	745	795	20
RR750D114	750	114	843	893	20
RR800D114	800	114	895	945	20
RR900D114	900	114	993	1043	20
RR1000D114	1000	114	1095	1145	20
RR1050D114	1050	114	1142	1193	20
RR1200D114	1200	114	1293	1343	20
RR1350D114	1350	114			20
RR1400D114	1400	114	1544	1594	20
RR1500D114	1500	114	1644	1694	20
RR600D127	600	127	693	742	25
RR750D127	750	127	843	892	25
RR900D127	900	127	993	1042	25
RR1050D127	1050	127	1143	1192	25
RR1200	1200	127	1293	1343	25



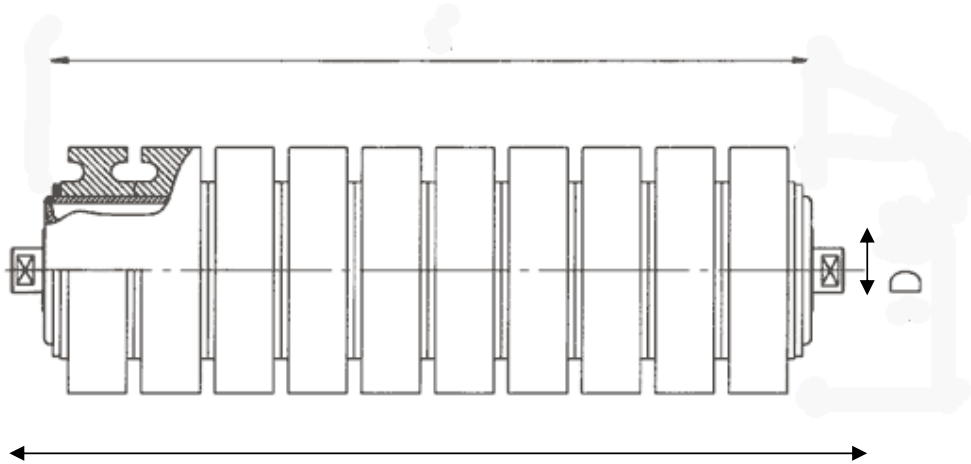
Queensland Power Transmission Supplies

	<i>Belt Width</i>	<i>Rubber</i>	<i>Disc</i>	<i>Returns</i>	<i>Shaft Diameter (SD)</i>					
RDR120017D	1200	17 DISC, 5-7-5	RD75	RT25	SD25					
RDR105016D	1050	16 DISC, 5-6-5	RD75	RT25	SD25					
RDR90015D	900	15 DISC, 5-5-5	RD75	RT25	SD25					
RDR75014D	750	RD75	RT25	SD25	RDR60011D	600	11 DISC, 4-3-4	RD75	RT25	SD25
RDR60011D	600	11 DISC, 4-3-4	RD75	RT25	SD25					



Queensland Power Transmission Supplies

	<u>Bolt Width</u>	<u>Impact</u> <u>Diameter</u>	<u>Rollers</u> <u>Face Length</u> (<u>FL</u>)	<u>Shaft to</u> <u>Shaft</u> (<u>OSL</u>)	<u>Shaft</u> <u>Diameter</u> (<u>OSD</u>)
IR1200D133	1200	133	436	476	25
IR1050D133	1050	133	382	423	25
IR900D133	900	133	330	371	25
IR750D133	750	133	277	318	25
IR600D133	600	133	223	264	25



Queensland Power Transmission Supplies

<i>Carrier</i>	<i>Roller</i> <i>(Belt Width)</i>	<i>Frames</i> <i>(Shaft Diameter ϕ)</i>
CRFR1200/35D	1200	20-25
CRFR1050/35D	1050	20-25
CRFR900/35D	900	20-25
CRFR750/35D	750	20-25
CRFR600/35D	600	20-25
CRFR450/35D	450	20-25
CRFR1200/45D	1200	20-25
CRFR1050/45D	1050	20-25
CRFR900/45D	900	20-25
CRFR750/45D	750	20-25
CRFR600/45D	600	20-25
CRFR450/45D	450	20-25
CRFR600/30D	600	20-25
CRFR900/30D	900	20-25

